

Expansion groups

- Collection pipe with multiple connections
- High lifting safety valve
- Automatic or manual air vent
- Pressure gauge with red sector



Description

Complete expansion group.

Construction

Complete expansion groups with collection pipe in brass. Pressure gauge DN50 class 1,6% with different red sectors, see charts. Capacity (kW) on safety valve must exceed the system capacity.

Model 148

Connection female threads two 3/4" and two 1/4" plus one male thread 3/4" on collection pipe. Manual air vent. Pressure gauge 1,5 bar with red sector, see chart.

Model 149

Connection female threads, three 3/4" and two 1/4" on collection pipe. Manual air vent. Pressure gauge 2,0 bar with red sector, see chart.

Model 2040 / 2041

Connection female threads, two 3/4" on collection pipe. Compression fitting 22CU on outlet pipe on safety valve. Safety valve with diaphragm in EPDM, manual air vent. Pressure gauge 1,5 - 3,5 bar with red sectors, see chart. No red sector on pressure gauge 0-6 bar (2040)

Model 2044

Connection female threads, one 3/4" and one 1" on collection pipe and one 1 1/4" on outlet pipe on safety valve. Rear and side connections on collection pipe are plugged. Safety valve with diaphragm in EPDM, automatic air vent with check valve. Pressure gauge 1,5 - 5 bar with red sectors, see chart.

Marking

Safety valve: Material and flow direction, CE and pressure.
Pressure gauge: pressure, company logotype and red sector.

Technical data

Collection pipe	Brass CW617N
Safety valve	
Body	Brass CW617N
Diaphragm	EPDM
Pressure gauge	ABS plastic
Air vent	
Body	Chrome-plated brass CW617N
Body (2044)	Brass CW617N
Seal	PTFE

Opening pressure: see chart

Maximum working temperature: +90°C

Minimum working temperature / with glycol mixed water: +2°C/-10°C

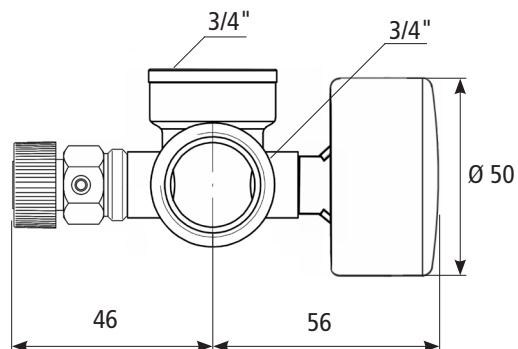
Maintenance

Expansion groups are normally maintenance-free, but should be inspected twice a year.

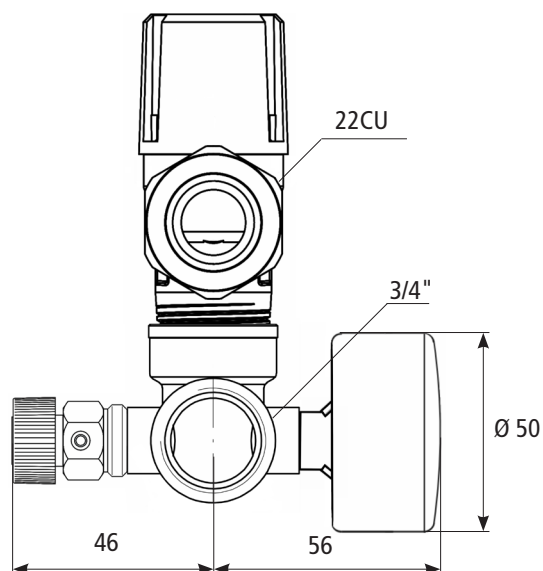
Subject to technical changes and corrections without notice

Expansion groups

148-149



2040



Item number	Description	Connection thread	Length	Scale (bar)	Weight (kg per piece)
0714815000	Expansion group 148, 3/4" F	2 x 3/4" F, 3/4" M, 2 x 1/4" F	102	0-3 1,5<Red	0,2
0714915000	Expansion group 149, 3/4" F	3 x 3/4" F, 2 x 1/4" F	102	0-4 2,0<Red	0,2

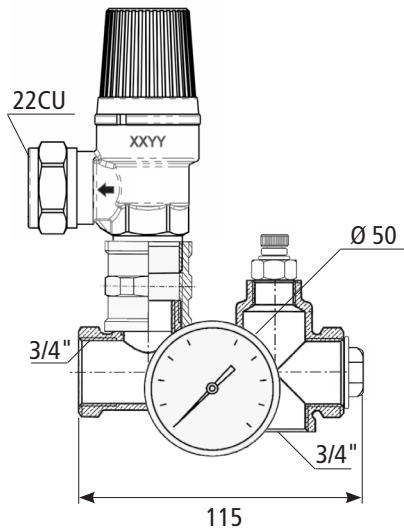
Item number	Description	Connection thread	Length	Scale (bar)	Weight (kg per piece)
0720400000	Expansion group 2040, 3/4" F, 1,5 bar	2 x 3/4" F, 22CU	102	0-3 1,5<Red	0,5
0720401000	Expansion group 2040, 3/4" F, 2 bar	2 x 3/4" F, 22CU	102	0-4 2,0<Red	0,5
0720402000	Expansion group 2040, 3/4" F, 2,5 bar	2 x 3/4" F, 22CU	102	0-4 2,5<Red	0,5
0720403000	Expansion group 2040, 3/4" F, 3 bar	2 x 3/4" F, 22CU	102	0-4 3,0<Red	0,5
0720404000	Expansion group 2040, 3/4" F, 3,5 bar	2 x 3/4" F, 22CU	102	0-6 3,5<Red	0,5
0720405000	Expansion group 2040, 3/4" F, 4 bar	2 x 3/4" F, 22CU	102	0-6	0,5

All dimensions in millimetres

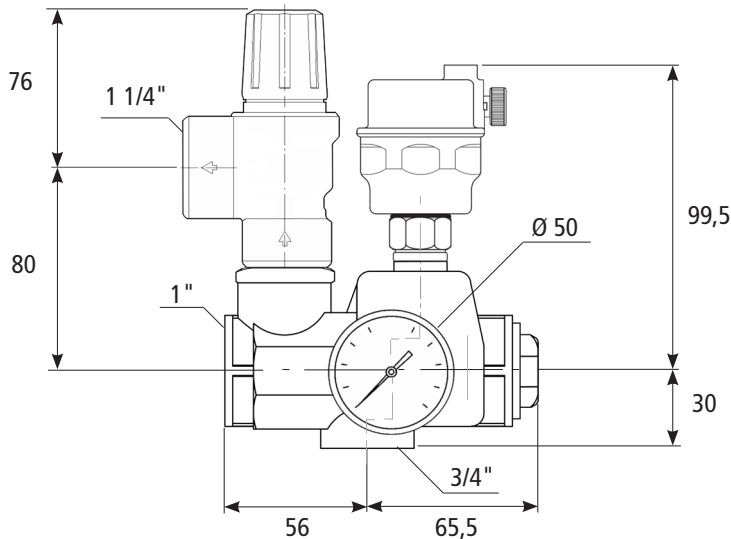
Subject to technical changes and corrections without notice

Expansion groups

2041



2044



Item number	Description	Connection thread	Length	Scale (bar)	Weight (kg per piece)
0720410000	Expansion group 2041, 3/4" F, 1,5 bar	3/4" F, 22CU	115	0-3 1,5<Red	0,8
0720413000	Expansion group 2041, 3/4" F, 2 bar	3/4" F, 22CU	115	0-4 2,0<Red	0,8
0720416000	Expansion group 2041, 3/4" F, 2,5 bar	3/4" F, 22CU	115	0-4 2,5<Red	0,8
0720419000	Expansion group 2041, 3/4" F, 3 bar	3/4" F, 22CU	115	0-4 3,0<Red	0,8
0720422000	Expansion group 2041, 3/4" F, 3,5 bar	3/4" F, 22CU	115	0-6 3,5<Red	0,8

Item number	Description	Connection thread	Length	Centrum height	Scale (bar)	Capacity (kW)	Weight (kg per piece)
0720440000	Expansion group 2044, 1" F, 1,5 bar	3/4" F, 1" F, 1 1/4" F	121,5	156	0-3 1,5<Red	231	0,9
0720443000	Expansion group 2044, 1" F, 2 bar	3/4" F, 1" F, 1 1/4" F	121,5	156	0-4 2,0<Red	273	0,9
0720446000	Expansion group 2044, 1" F, 2,5 bar	3/4" F, 1" F, 1 1/4" F	121,5	156	0-4 2,5<Red	315	0,9
0720449000	Expansion group 2044, 1" F, 3 bar	3/4" F, 1" F, 1 1/4" F	121,5	156	0-4 3,0<Red	354	0,9
0720452000	Expansion group 2044, 1" F, 3,5 bar	3/4" F, 1" F, 1 1/4" F	121,5	156	0-6 3,5<Red	397	0,9
0720455000	Expansion group 2044, 1" F, 4 bar	3/4" F, 1" F, 1 1/4" F	121,5	156	0-6 3,5<Red	436	0,9
0720458000	Expansion group 2044, 1" F, 5 bar	3/4" F, 1" F, 1 1/4" F	121,5	156	0-6 3,5<Red	515	0,9

All dimensions in millimetres

Subject to technical changes and corrections without notice